

## activPilot Select PVCu

The fully concealed tilt and turn gearing



# The fully concealed tilt and turn gearing

## The solution for large and heavy windows.

activPilot Select opens up a new world of opportunities to manufacturers of window as well as for architects. Sashes with a weight of up to 150kg and an area of 3m<sup>2</sup> are easy to handle with this innovative tilt and turn gearing. activPilot Select fulfils modern architectural requirements in new buildings and restoration work. This is also an advantage for energy efficiency. Even large sash areas with triple glazing can easily be implemented using activPilot Select.

Due to the fully concealed tilt and turn gearing, the window design and colour is not spoiled by visible hinges. The intelligent, modular system also reduces the number of components required cutting production time and cost.

Standard activPilot Select gearing will take a sash weight up to 100kg, simply adding two additional components will take the load bearing up to an impressive 150kg.

## Discover the world of window innovations:

The fully concealed tilt and turn gearing with aesthetic design that can carry a sash weight of up to 150kg.

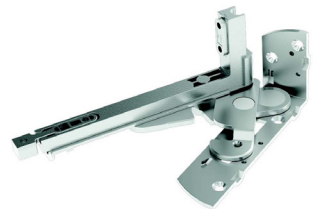


# Innovative technology incorporating hidden strength:

The Winkhaus shear can be used for any size of window. It is extremely stable and works very effectively. The window can be operated into the desired Tilt or Turn position easily and conveniently. Mounting and demounting of the sash to the frame is also a simple process.



Complex technology on a small footprint: Excellent air gap tolerance due to the low stack height of the corner frame and sash hinge. 3D adjustment is possible without any special tools. The additional sash support bar is only required for sashes exceeding 100kg reducing the cost of the majority of windows produced.



The activPilot Select keeps have been designed to locate the fixing screws into the heart of the window frame and into reinforcement on PVCu windows. Profile related keeps with hardened steel top plates give maximum protection during security testing and against forced entry.



# Elegant strength - up to 150kg sash weight

## Designed for heavy windows: activPilot Select has several patents

Large window areas for light-filled rooms are characteristic of modern architecture. This means heavy sashes - especially where heat and noise insulating triple glazing is chosen. The standard activPilot Select tilt and turn gearing is designed for a sash weights up to 100kg. Two add-on components are all it takes to boost the bearing capacity to 150kg. This is unique technology by Winkhaus also enables you to implement window areas of up to 3m<sup>2</sup> per sash.

The fully concealed activPilot Select meets highest demands regarding design and comfort. The illustration shows a combined corner/sash hinge.

The special design principle guarantees minimal wear and tear, despite heavy loads thus ensuring excellent durability. Many years of experience with the tried-and-trusted predecessor activPilot, have been used to develop activPilot Select: Established Winkhaus technology you can rely on. The activPilot Select tilt and turn system has demonstrated its excellent stability and long service life in extreme and comprehensive testing. Many of activPilot Select's new design features are patented and exclusively available only from Winkhaus.

## Winkhaus Plus

- + Fully concealed turn-tilt fittings without visible hinges
- + Suitable for sash weights of up to 150kg and sash areas of up to 3m<sup>2</sup>
- + Technology with multiple patents
- + Stability and high durability demonstrated in test series
- + Certified to DIN EN 13126-8 and BS7950

With just two 'add-on' components, Sash support bar + Adapter plate the load bearing capacity is increased from 100kg up to 150kg. The illustration also shows the inclusion of an optional sash Turn Limiter.



# Pure design for demanding architecture

## Less is more attractive

activPilot Select allows you to design attractive windows. The window design is not impaired by visible hinge components which are concealed within the window rebate. The ideal solution for the demanding aesthetic requirements of modern building concepts. activPilot Select gives you the ability to implement beautiful designs and frame colours, not only in new buildings, but also in renovation and restoration work. This helps to keep the original looks of old buildings.

A major advantage of buildings listed for preservation. Colour variation between the window frame and exposed hinges are eliminated? activPilot Select solves this problem by giving you a free choice of colours for the window sash and frame.

## Comfort and safety

A wide opening angle of over 95° means that windows fitted with activPilot Select offer a high level of convenience, making cleaning very simple.

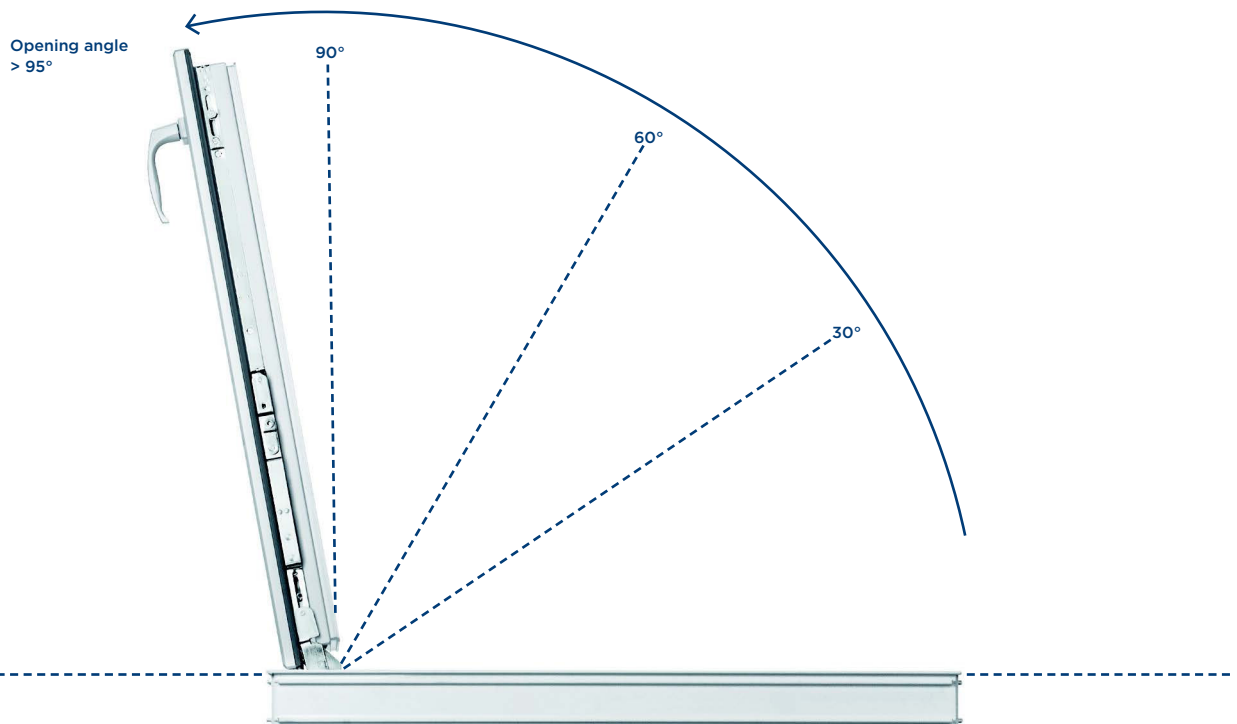
---

## Winkhaus Plus

---

- + Aesthetic appearance thanks to “invisible” hinges
- + Ideal for modern architectural concepts in new buildings, renovation and restoration work
- + Free choice of colours for sash and frame

Another benefit: Thanks to activPilot Select you can open sashes up to an angle of more than 95°



# Flexible configuration - quick installation

## Less effort, more safety

activPilot Select's user-friendly design offers window fabricators vastly simplified and faster installation and adjustment of the fittings. No need for special drilling or complicated milling when producing windows. Locking points can be positioned into the corners - for maximum security and safety. The gearing is quickly and easily fitted, no need for special tools, this includes working on site: Sashes are easily fitted and, depending on the sash weight, can be mounted by a single operative. activPilot Select's low stack shear works in air gap tolerances between 10.8 and 14mm on the sash hinge.

The contact pressure is adjustable via the corner hinge. Height and side adjustment is easily carried out without special tools. The modular system was designed to reduce the number of components reducing the amount of work and therefore cost at every stage. The gearing arrangement can be tailored to meet the customer's individual requirements. Additions to the gearing at a later stage are easily fitted, such as increasing the load bearing capacity from 100kg to max. 150kg. Two easily retro-fittable add-on components are all you need.

---

## Winkhaus Plus

---

- + Intelligent, modular design supports individual system configuration and easy retrofitting
- + Quick installation thanks to fewer components and greater air gap tolerances
- + Easy mounting and rapid adjustment without special tools





# The intelligent modular system

## Tailor-made functionality - Adaptable at any time

activPilot Select is a variant of the Winkhaus activPilot system. The activPilot product range includes specific solutions for a variety of window design requirements, including options with innovative, integrated locking sensors. The activPilot gearing is modular and all components used in the gearing are compatible. This means that any activPilot component can be retrofitted with improved functions at any time. The system's locking points are generally burglary-resistant, to BS7950 security level. All keeps are suitable for right/left-handed use. A Tilt Turn system full of potential to meet any requirement.

## Winkhaus - Technology setting standards

For decades, Winkhaus has been a leading specialist for premium-quality door and window fittings. Motivated and inventive product development has led to numerous innovations and patents. For example, the first fully concealed tilt and turn window was made by Winkhaus, and it has been a successful model for more than 20 years. What was a technical revolution at the time, is the industry standard today. The activPilot gearing system sees Winkhaus once again setting new standards in window building technology. An abundance of benefits and unique combinations - activPilot Select now brings this standard to heavy, large-area windows.

---

## Winkhaus Plus

---

### For the window fabricator

- + Quick and easy assembly of fittings; less components than with conventional systems
- + Large air gap tolerances and thus more functional safety even in case of temperature fluctuations
- + Sashes can be mounted by a single person without help
- + Height and side adjustment without special tools; easy adjustment of weather compression

### For the buyer and stock control

- + Modular system with a small number of components, all variants and add-on modules compatible
- + Reduce stock holding
- + Unique product with unique technical selling points
- + Boosts your competitiveness

### For planners, fitters and users

- + Aesthetic window design without visible hinges - even for large and heavy windows
- + Extensive system which can be altered to meet changing requirements
- + Stable, durable quality

**Winkhaus UK Ltd**

2950 Kettering Parkway, Kettering,  
Northants NN15 6XZ  
Tel: +44 (0)1536 316000

[www.winkhaus.co.uk](http://www.winkhaus.co.uk)  
[enquiries@winkhaus.co.uk](mailto:enquiries@winkhaus.co.uk)

Winkhaus activPilot for PVCu 2023-A